

Flanged Two-Way Connector Clamps

Aluminum, Multi Part Assembly

SPECIFICATION

Identification no.

- No. 2: With 4 stainless steel socket cap screws ISO 4762

Connector clamp

Aluminum

- Powder coated
Black, RAL 9005, textured finish **SW**
- Plain finish, matte shot-blasted **BL**

Socket cap screws ISO 4762

Stainless steel

Hex nuts DIN 985

Stainless steel

Self-locking via polyamide ring



INFORMATION

The clamping bores of flanged two-way connector clamps GN 141 are not machined and designed for construction tubes GN 990 (see page 1902) or DIN 2391, DIN 2395 and DIN 2462.

The versions with square bores are also suitable for use with profile systems.

At the screw locations z_1 / z_2 , the socket cap screws reduce the bore cross-section for clamping.

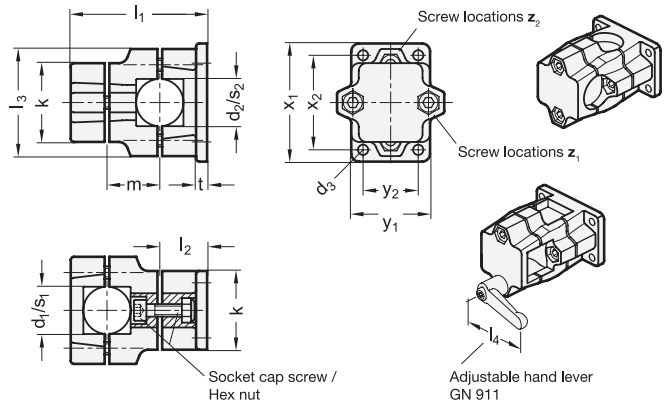
For clamping without tools, the socket cap screws z_1 can be replaced by the adjustable hand levers GN 911 (see page 1874) listed in the table as accessories.

ACCESSORY

- GN 911 Adjustable Hand levers (see page 1874)

TECHNICAL INFORMATION

- Stainless Steel Characteristics (see page A26)



* Complete with

SW RAL9005
BL Plain finish

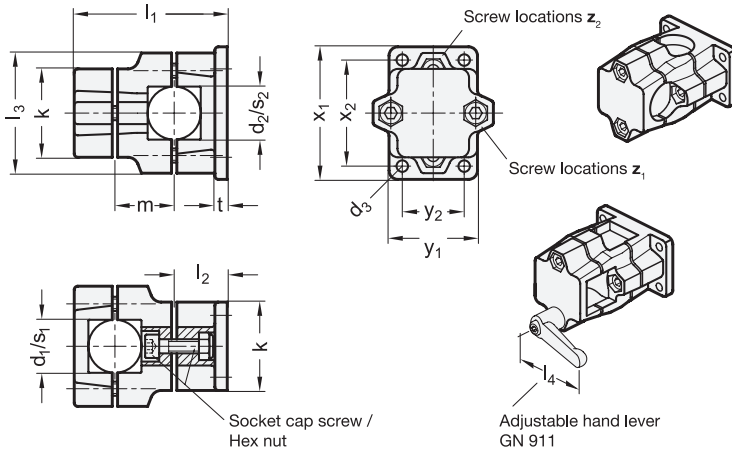
Socket cap screw /
Hex nut

Adjustable hand lever
GN 911

GN 141-B-B

Description	d1 Bore	d2 Bore	d3	k Clamping length	l1	l2	l3	m	t	x1	x2	y1	y2	z1 Screw locations	z2 Screw locations	Accessory recom. hand lever GN 911 for z1 l4	⚖
GN 141-B20-B20-2-*	B 20	B 20	6.5	50	86	30	68	33.5	7	75	60	50	35	M8-30	M8-35	63 78	402
GN 141-B25-B25-2-*	B 25	B 25	6.5	50	86	30	68	33.5	7	75	60	50	35	M8-30	M8-35	63 78	386
GN 141-B30-B30-2-*	B 30	B 30	6.5	50	86	30	68	33.5	7	75	60	50	35	M8-30	M8-35	63 78	368
GN 141-B40-B40-2-*	B 40	B 40	11	76	136	46	98	55	14	115	90	76	50	M10-50	M10-50	78 92	1118
GN 141-B42-B42-2-*	B 42	B 42	11	76	136	46	98	55	14	115	90	76	50	M10-50	M10-50	78 92	1094
GN 141-B45-B45-2-*	B 45	B 45	11	76	136	46	98	55	14	115	90	76	50	M10-50	M10-50	78 92	1074
GN 141-B48-B48-2-*	B 48	B 48	11	76	136	46	98	55	14	115	90	76	50	M10-50	M10-50	78 92	1059
GN 141-B50-B50-2-*	B 50	B 50	11	76	136	46	98	55	14	115	90	76	50	M10-50	M10-50	78 92	1031

Weight SW



* Complete with

SW **BL**
RAL9005 Plain finish

GN 141-B-S

Description	d1 Bore	s2 Square	d3	k Clamping length	l1	l2	l3	m	t	x1	x2	y1	y2	z1 Screw locations	z2 Screw locations	Accessory recom. hand lever GN 911 for z1 l4	⚖
GN 141-B20-V20-2-*	B 20	V 20	6.5	50	86	30	68	33.5	7	75	60	50	35	M8-30	M8-35	63 78	395
GN 141-B25-V25-2-*	B 25	V 25	6.5	50	86	30	68	33.5	7	75	60	50	35	M8-30	M8-35	63 78	374
GN 141-B30-V30-2-*	B 30	V 30	6.5	50	86	30	68	33.5	7	75	60	50	35	M8-30	M8-35	63 78	355
GN 141-B40-V40-2-*	B 40	V 40	11	76	136	46	98	55	14	115	90	76	50	M10-50	M10-50	78 92	1002
GN 141-B45-V45-2-*	B 45	V 45	11	76	136	46	98	55	14	115	90	76	50	M10-50	M10-50	78 92	946
GN 141-B50-V50-2-*	B 50	V 50	11	76	136	46	98	55	14	115	90	76	50	M10-50	M10-50	78 92	922

Weight SW

GN 141-S-B

Description	s1 Square	d2 Bore	d3	k Clamping length	l1	l2	l3	m	t	x1	x2	y1	y2	z1 Screw locations	z2 Screw locations	Accessory recom. hand lever GN 911 for z1 l4	⚖
GN 141-V20-B20-2-*	V 20	B 20	6.5	50	86	30	68	33.5	7	75	60	50	35	M8-30	M8-35	63 78	396
GN 141-V25-B25-2-*	V 25	B 25	6.5	50	86	30	68	33.5	7	75	60	50	35	M8-30	M8-35	63 78	375
GN 141-V30-B30-2-*	V 30	B 30	6.5	50	86	30	68	33.5	7	75	60	50	35	M8-30	M8-35	63 78	356
GN 141-V40-B40-2-*	V 40	B 40	11	76	136	46	98	55	14	115	90	76	50	M10-50	M10-50	78 92	1034
GN 141-V45-B45-2-*	V 45	B 45	11	76	136	46	98	55	14	115	90	76	50	M10-50	M10-50	78 92	980
GN 141-V50-B50-2-*	V 50	B 50	11	76	136	46	98	55	14	115	90	76	50	M10-50	M10-50	78 92	959

Weight SW

GN 141-S-S

Description	s1 Square	s2 Square	d3	k Clamping length	l1	l2	l3	m	t	x1	x2	y1	y2	z1 Screw locations	z2 Screw locations	Accessory recom. hand lever GN 911 for z1 l4	⚖
GN 141-V20-V20-2-*	V 20	V 20	6.5	50	86	30	68	33.5	7	75	60	50	35	M8-30	M8-35	63 78	392
GN 141-V25-V25-2-*	V 25	V 25	6.5	50	86	30	68	33.5	7	75	60	50	35	M8-30	M8-35	63 78	368
GN 141-V30-V30-2-*	V 30	V 30	6.5	50	86	30	68	33.5	7	75	60	50	35	M8-30	M8-35	63 78	339
GN 141-V40-V40-2-*	V 40	V 40	11	76	136	46	98	55	14	115	90	76	50	M10-50	M10-50	78 92	1091
GN 141-V45-V45-2-*	V 45	V 45	11	76	136	46	98	55	14	115	90	76	50	M10-50	M10-50	78 92	1040
GN 141-V50-V50-2-*	V 50	V 50	11	76	136	46	98	55	14	115	90	76	50	M10-50	M10-50	78 92	975

Weight SW

